



General Data

Type reference: FRTF(P)(L)(O)(I)(OO)(II)(OI)(OOI)(OII)(S)(3O)_AU
 Description: Illuminated contact block, separate plungers, detent collar
 Approvals: CE, cURus, ENEC10, VDE, CE, TÜV_Süd
 Contact type: 1NC / 1NO / 2NC / 1NC + 1NO / 2NO / 2NC + 1NO / 1NC + 2NO / 3NO / 3NC
 Operation travel: 2.3 mm
 Connection type: Faston terminals 2.8x0.8 mm / PCB-mount terminals
 Contact material: AgNi / AgNi, gold-plated 5µm
 Max. storage temperature: -40°C ... 80°C
 Max. operating temperature: -25°C ... 70°C
 Mechanical life: 600.000
 Electrical life (rated load): 600,000
 Contact resistance NO: < 20 mOhm (new state)
 Contact resistance NC: < 20 mOhm (new state)
 Min. current: 1 mA (under laboratory conditions)
 Min. voltage: 5 V
 Bouncing time NC: < 10ms
 Positive opening contact: acc. to EN60947-5-1, appendix K

Electrical data acc. to IEC/EN 60947-5-1 (VDE 0660 Sect. 200)

	alternate current	direct current
Utilisation category:	AC15 B300	DC13 Q300
Rated insulation voltage Ui:	250 V	250V
Rated operating voltage Ue:	240V / 120V	250V / 125V / 60V / 24V
Rated operating current Ie:	1.5A / 3A	0.27 A / 0.55 A / 1 A / 2 A
Breaking capacity:	10Ie	1,1Ie
Continuous thermal current:	5A	

Electrical data acc. to IEC/EN 61058-1 (VDE 0630 Sect. 1)

Rated voltage Ue: 250 V~
 Rated current Ie: 6(4) A
 Technical Data - Lamp
 Lamp socket: none, with integrated LED
 Max. lamp voltage: 30 V AC/DC
 Definition: X1...anode, X2...cathode

Electrical features - 5µm gold-plating, type addition _AU

Switching voltage: 20mV ... 42V AC/DC
 Switching current: 1mA ... 250mA

Note

O = NC contact; I = NO contact
 DC13: 100,000 switching cycles (at max. switching capacity)
 Life-time using an emergency-stop actuator: 30.000 (RKUV28, RRJUV)
 6050 (RXJUV)
 Illuminated version (LED): overvoltage category II (2.5kV), pollution degree 2
 Version with three contacts: overvoltage category II (2.5kV), pollution degree 2
 FRTF...(S)...:

With safety contact for failure switch-off.
 The safety contact (NO) is always closed during operation and disconnects automatically on separation of the actuator from the modular contact. To make use of the failure switch-off function, the NO contact is connected in series with the NC contact.

Contact blocks FR...

flat-plug connections

made in germany



About Us

Bushbuttrons/Switches

→ Contact Blocks

Panel Mount Jacks

Emergency-Stop Buttons

Bus Technology

RFD

Enclosures

Pedal Switches

Terminal Blocks

Type Index

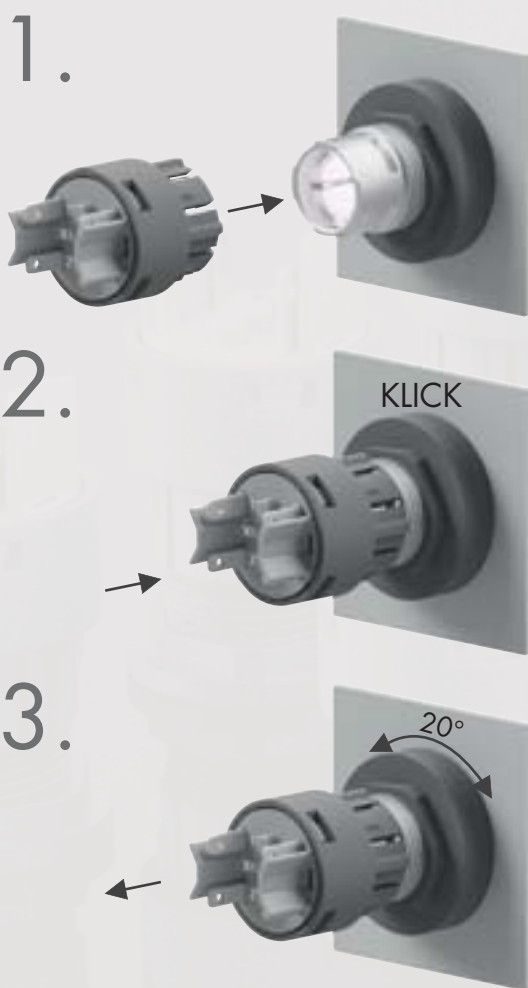

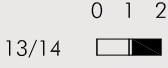


Illustration	Description	Type
--------------	-------------	------

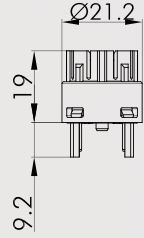
IP00

2.3mm





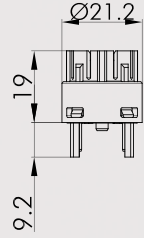
13/14



Contact block, momentary
1NO

Faston terminals 2.8x0.8 mm


suitable pushbuttons and switches:

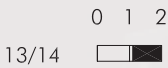


Contact material: AgNi **FRTFI**
AgNi, gold-plated **FRTFI_AU**

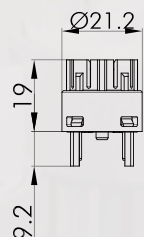
IP00

2.3mm





13/14




Illuminated contact block, momentary
1NO

Faston terminals 2.8x0.8 mm

Lamp socket none, with integrated LED


suitable pushbuttons and switches:

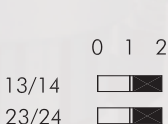


Contact material: AgNi **FRTFLI**

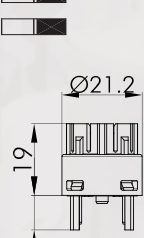
IP00

2.3mm





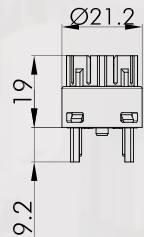
13/14
23/24



Contact block, momentary
2NO

Faston terminals 2.8x0.8 mm


suitable pushbuttons and switches:

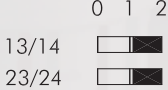


Contact material: AgNi **FRTFII**
AgNi, gold-plated **FRTFII_AU**

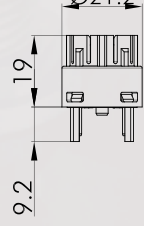
IP00

2.3mm





13/14
23/24




Illuminated contact block, momentary
2NO

Faston terminals 2.8x0.8 mm

Lamp socket none, with integrated LED

suitable pushbuttons and switches:



Contact material: AgNi **FRTFLII**

About Us

Buttons/Switches

Panel Mount Jacks

Emergency-Stop Buttons

Bus Technology

RFID

Enclosures

Pedal Switches

Terminal Blocks

Type Index

Contact blocks FR...

flat-plug connections

MADE IN GERMANY



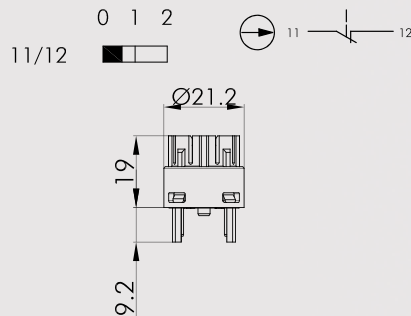
Illustration

Description

Type

IP00

2.3mm



Contact block, momentary 1NC

Faston terminals 2.8x0.8 mm

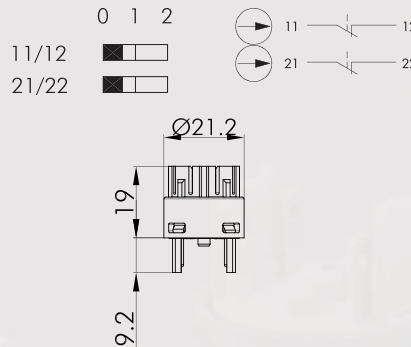
suitable pushbuttons and switches:



Contact material: AgNi **FRTFO**
AgNi, gold-plated **FRTFO_AU**

IP00

2.3mm



Contact block, momentary, 2NC 2NC

Faston terminals 2.8x0.8 mm

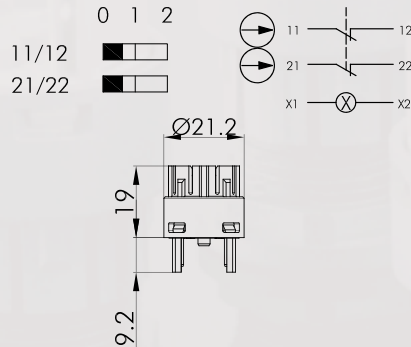
suitable pushbuttons and switches:



Contact material: AgNi **FRTFOO**
AgNi, gold-plated **FRTFOO_AU**

IP00

2.3mm



Illuminated contact block, momentary 2NC

Faston terminals 2.8x0.8 mm

Lamp socket none, with integrated LED

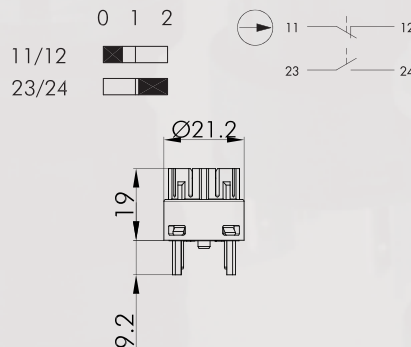
suitable pushbuttons and switches:



Contact material: AgNi **FRTFLOO**

IP00

2.3mm



Contact block, momentary 1NC + 1NO

Faston terminals 2.8x0.8 mm

suitable pushbuttons and switches:



Contact material: AgNi **FRTFOI**
AgNi, gold-plated **FRTFOI_AU**

About Us

Busbuttons/Switches

Panel Mount Jacks

Emergency-Stop Buttons

Bus Technology

RFD

Enclosures

Pedal Switches

Terminal Blocks

Type Index

Illustration	Description	Type
--------------	-------------	------

		<p>0 1 2</p> <p>11/12 </p> <p>23/24 </p>	<p>11 — 12</p> <p>23 — 24</p> <p>X1 — X2</p>	<p>Illuminated contact block, momentary 1NC + 1NO</p> <p>Faston terminals 2.8x0.8 mm Lamp socket none, with integrated LED</p> <p>suitable pushbuttons and switches:</p>	<p>Contact material: AgNi FRTFLOI</p>
		<p>Ø21.2</p> <p>19</p> <p>9.2</p>			

		<p>0 1 2</p> <p>11/12 </p> <p>33/34 </p> <p>21/22 </p>	<p>11 — 12</p> <p>33 — 34</p> <p>21 — 22</p>	<p>Contact block, momentary 2NC + 1NO</p> <p>Faston terminals 2.8x0.8 mm</p> <p>suitable pushbuttons and switches:</p>	<p>Contact material: AgNi FRTFOOI AgNi, gold-plated FRTFOOI_AU</p>
		<p>Ø21.2</p> <p>19</p> <p>9.2</p>			

Accessories

	<p>Insulating case</p> <p>for Faston clamp FH2,8, slip on from the front</p> <p style="text-align: right;">IH2,8</p>
--	--

	<p>Faston clamp 2.8 x 0.8 mm with snap-in pin</p> <p>cross section 0.75 - 1.50 mm², tin-plated brass, with pin to snapfit into the sockets XA, XAL and the insulating case IH2.8</p> <p style="text-align: right;">FH2,8</p>
--	---

	<p>Double Faston</p> <p>for the connection of 2 Faston clamps FH2.8</p> <p style="text-align: right;">FD2,8</p>
--	---